

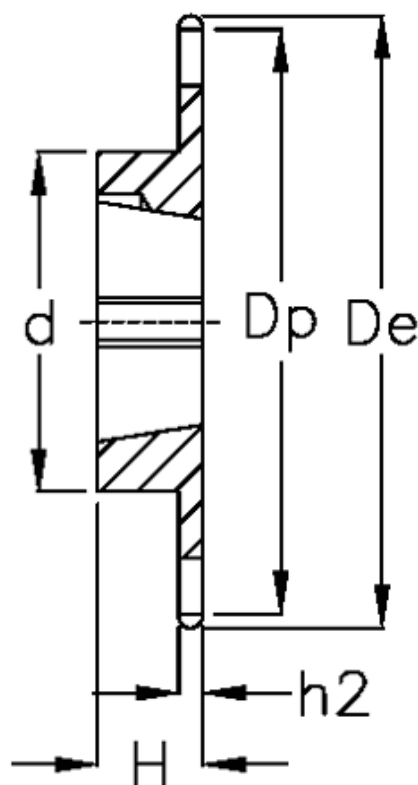
Data Sheet



Article number: 616031009030

Description: Taperbored sprocket 20 B-1 Z=30 simplex
for bushing 3020

Measures



C	= 3.5
d	= 150
De	= 318.9
Dp	= 303.75
For bush	= 3020
For chain size	= 1 1/4" x 3/4"
For chain type	= 20 B-1
H	= 51

h1	= 18.5
Material	= Stål
Number of teeth	= 30